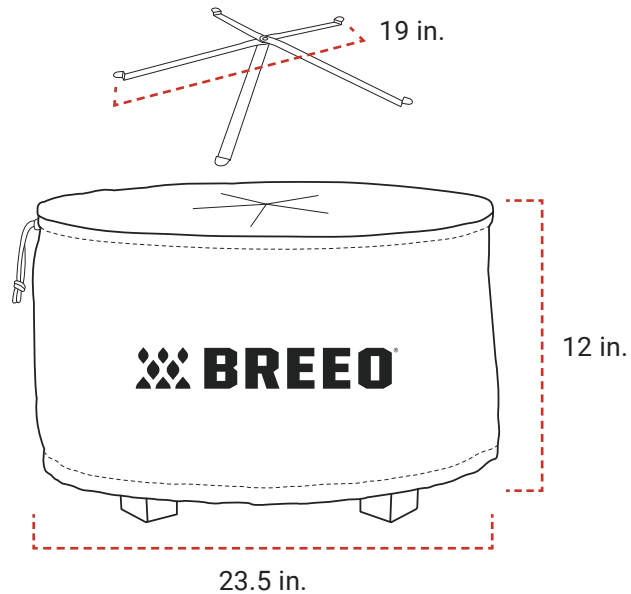


# X SERIES 19 FIRE PIT COVER

## SPECIFICATIONS

SKU: BR-X19-COAS



PROTECT YOUR X SERIES FIRE PIT

### UNIT:

#### Material:

Cover top carbon black and white, laminated: breathable film and weft knitted fabric. UV stabilized  
*≥8000 mm H<sub>2</sub>O Hydrostatic Head rating (HH)*

Cover sides gray and white, polyester with PU coating. UV stabilized  
*≥500 mm H<sub>2</sub>O Hydrostatic Head rating (HH)*

304 Stainless Steel Anti-sag

**Anti-sag Weight:** 0.6 lb

Designed in Lancaster, PA. Produced with a Trusted Partner Overseas.

### DIMENSIONS:

**Cover Width:** 23.5 in.

**Cover Height:** 12 in.

**Anti-sag Folded Length:** 9.5 in.

**Anti-sag Diameter:** 19 in.

### COMPATIBILITY:

**X Series 19 Fire Pit**

**Y Series Fire Pit**

**Anti-sag is not compatible with X Series Lid**



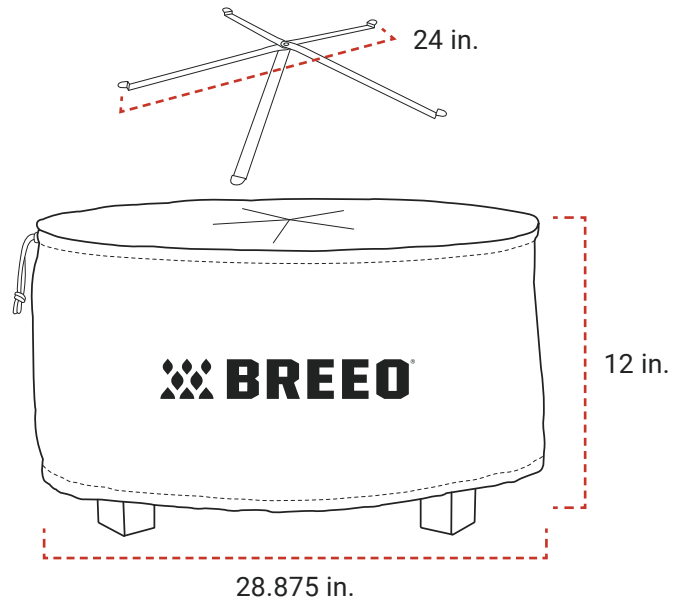
**BRECO.COM**

©2025 Breco LLC. All rights reserved. 05/25

# X SERIES 24 FIRE PIT COVER

## SPECIFICATIONS

SKU: BR-X24-COAS



PROTECT YOUR X SERIES FIRE PIT

### UNIT:

#### Material:

Cover top carbon black and white, laminated: breathable film and weft knitted fabric. UV stabilized  
*≥8000 mm H<sub>2</sub>O Hydrostatic Head rating (HH)*

Cover sides gray and white, polyester with PU coating. UV stabilized  
*≥500 mm H<sub>2</sub>O Hydrostatic Head rating (HH)*

304 Stainless Steel Anti-sag

**Anti-sag Weight:** 0.8 lb

Designed in Lancaster, PA. Produced with a Trusted Partner Overseas.

### DIMENSIONS:

**Cover Width:** 28.875 in.

**Cover Height:** 12 in.

**Anti-sag Folded Length:** 12.25 in.

**Anti-sag Diameter:** 24 in.

### COMPATIBILITY:

**X Series 24 Fire Pit**

**Anti-sag is not compatible with X Series Lid**



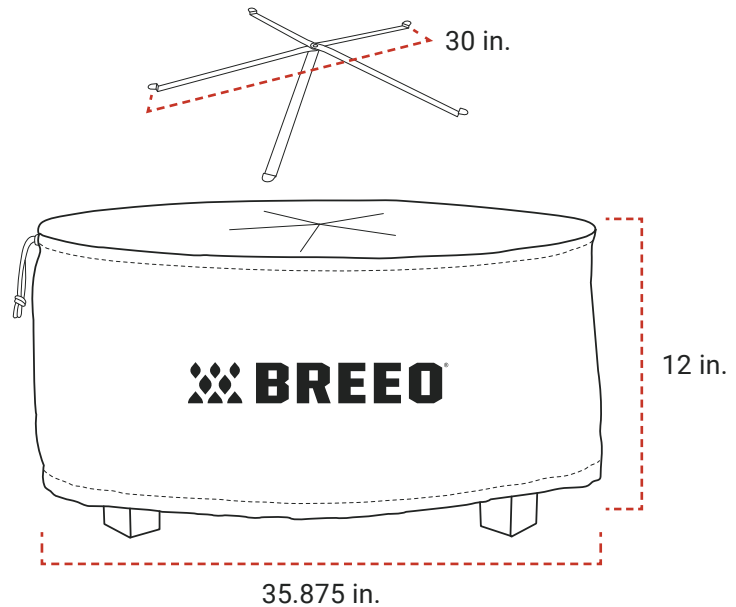
**BREEO.COM**

©2025 Breeo LLC. All rights reserved. 05/25

# X SERIES 30 FIRE PIT COVER

## SPECIFICATIONS

SKU: BR-X30-COAS



PROTECT YOUR X SERIES FIRE PIT

### UNIT:

#### Material:

Cover top carbon black and white, laminated: breathable film and weft knitted fabric. UV stabilized  
*≥8000 mm H2O Hydrostatic Head rating (HH)*

Cover sides gray and white, polyester with PU coating. UV stabilized  
*≥500 mm H2O Hydrostatic Head rating (HH)*

304 Stainless Steel Anti-sag

**Anti-sag Weight:** 1 lb

Designed in Lancaster, PA. Produced with a Trusted Partner Overseas.

### DIMENSIONS:

**Cover Width:** 35.875 in.

**Cover Height:** 12 in.

**Anti-sag Folded Length:** 15.25 in.

**Anti-sag Diameter:** 30 in.

### COMPATIBILITY:

**X Series 30 Fire Pit**

**Anti-sag is not compatible with X Series Lid**



**BREEO.COM**

©2025 Breeo LLC. All rights reserved. 05/25